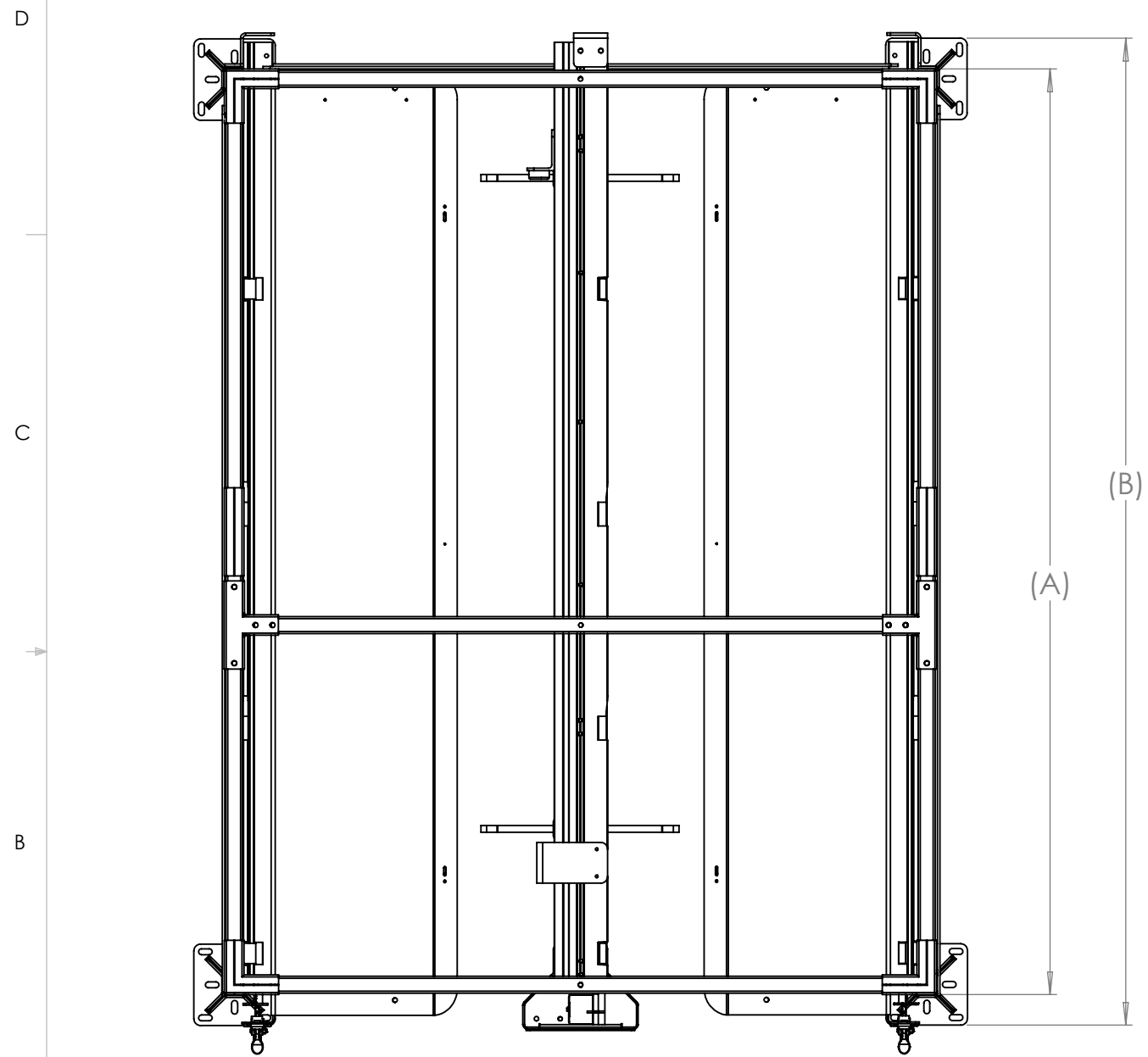
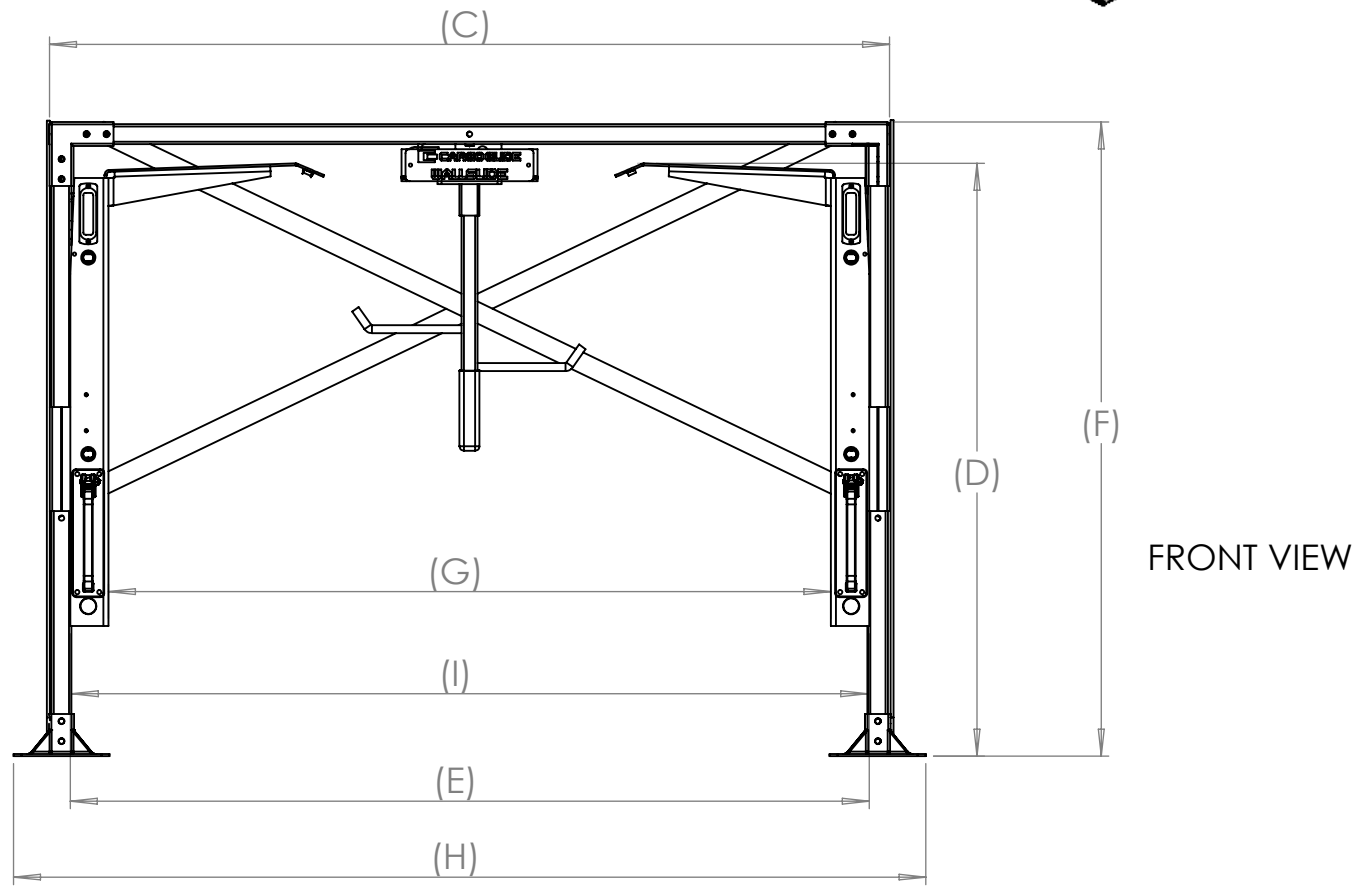
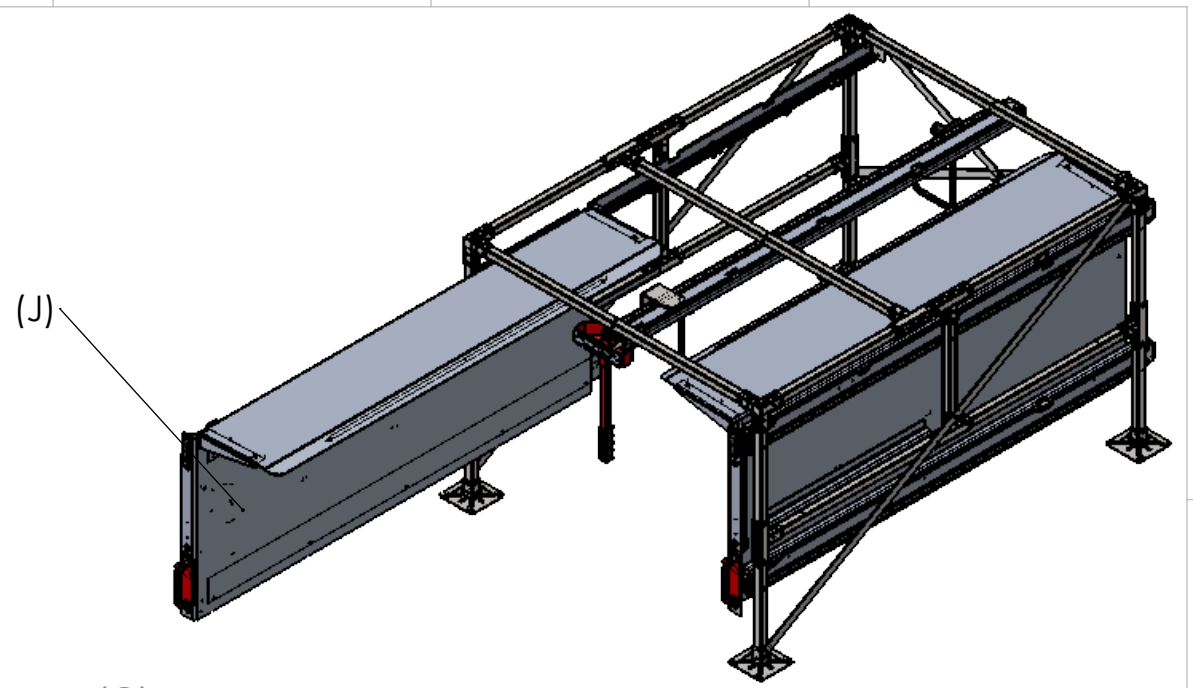


8 7 6 5 4 3 2 1




TOP VIEW



FRONT VIEW

PROPRIETARY AND CONFIDENTIAL
 THE INFORMATION CONTAINED IN THIS DRAWING IS THE SOLE PROPERTY OF CARGOGLIDE. ANY REPRODUCTION IN PART OR AS A WHOLE WITHOUT THE WRITTEN PERMISSION OF CARGOGLIDE IS PROHIBITED.

		UNLESS OTHERWISE SPECIFIED:		NAME	DATE	 3884 S River Rd. Bldg E St. George, UT 84790 435-574-5161
		DIMENSIONS ARE IN INCHES TOLERANCES: FRACTIONAL $\pm 1/16"$ ANGULAR: ± 0.5 Deg. TWO PLACE DECIMAL $\pm .01$ THREE PLACE DECIMAL $\pm .005$		DRAWN	DB	
		INTERPRET GEOMETRIC TOLERANCING PER: ASME Y14.5-2009		CHECKED		TITLE: Truck WallSlide System Measurements
		MATERIAL		ENG APPR.		
NEXT ASSY	USED ON	FINISH		MFG APPR.		SIZE B DWG. NO. REV -
APPLICATION		DO NOT SCALE DRAWING		Q.A.		SCALE: NTS WEIGHT: SHEET 1 OF 2
				COMMENTS:		

8 7 6 5 4 3 2 1


Truck 6.5' Bed WallSlide

Location	Description	Dimension
A	Upper Frame Length	68.25
B	Lower Frame Length	72.75
C	Upper Frame Width	52.50
D	Min. Opening Height	37.00
E	Min. Opening Width	50.00
F	Frame Height	39.625
G	Wall to Wall Inside	45.00
H	Lower Frame Width	57.00
I	Max CargoGlide Width	49.75
J	Wall Extension	50.625

Truck 8' Bed WallSlide

Location	Description	Dimension
A	Upper Frame Length	86.25
B	Lower Frame Length	90.75
C	Upper Frame Width	52.50
D	Min. Opening Height	43.00
E	Min. Opening Width	50.00
F	Frame Height	45.625
G	Wall to Wall Inside	45.00
H	Lower Frame Width	57.00
I	Max CargoGlide Width	49.75
J	Wall Extension	62.00

PROPRIETARY AND CONFIDENTIAL
 THE INFORMATION CONTAINED IN THIS DRAWING IS THE SOLE PROPERTY OF CARGOGLIDE. ANY REPRODUCTION IN PART OR AS A WHOLE WITHOUT THE WRITTEN PERMISSION OF CARGOGLIDE IS PROHIBITED.

		UNLESS OTHERWISE SPECIFIED:	NAME	DATE	 3884 S River Rd. Bldg E St. George, UT 84790 435-574-5161			
		DIMENSIONS ARE IN INCHES TOLERANCES: FRACTIONAL: ± 1/16" ANGULAR: ± 0.5 Deg. TWO PLACE DECIMAL ± .01 THREE PLACE DECIMAL ± .005	DRAWN	DB		3/22/19		
		INTERPRET GEOMETRIC TOLERANCING PER: ASME Y14.5-2009	CHECKED			TITLE: Truck WallSlide System Measurements		
		MATERIAL	ENG APPR.					
NEXT ASSY	USED ON	FINISH	MFG APPR.			SIZE B	DWG. NO.	REV
APPLICATION		DO NOT SCALE DRAWING	Q.A.					-
			COMMENTS:			SCALE: NTS	WEIGHT:	SHEET 2 OF 2